

PROFLEX 110



- High efficiency Samsung LEDs
- 10mm width
- Adhesive backing
- Easily cut to length to suit application
- Typical lifetime of 35,000hrs*



The new Samsung powered LED strip light uses the latest Samsung LED chips to provide market leading efficiency and brightness at over 110lm/W. Aluminium profiles are available to add extra heatsinking and diffuse the light to reduce glare.

Options summary

- 8W, 800lm per meter
- 16W, 1600lm per meter
- 20W, 2200lm per meter

Colour Warm White (3000K/2800K) Neutral White (4000K)
Cool White (6000K)
Protection IP20 / IP67 (encapsulated)
Length Supplied as 5m reel, cut to length
Beam angle 120°
Voltage 24VDC (constant)
Operating temperature -20-45C

CE RoHS

3M mounting tape

ETL US Transformer specific

IP20

IP67

24V DC

SELV

1-10V

0-10V

DALI

PHASE

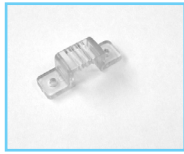
Technical

		8W/m	16W/m	20W/m
Maximum single run		5m	5m	5m
Power of maximum run		40W	80W	100W
Width / depth	IP20	10mm / 2.5mm	10mm / 2.5mm	10mm / 2.5mm
	IP67	14mm / 5mm	14mm / 5mm	NA
Brightness /m (typical)	2800K/3000K	800lm/m	1600lm/m	2200lm/m
	4000K/6000K	900lm/m	1800lm/m	2350lm/m
Typical CRI		80	80	80
Cut/Step Length (LED qty per step)		166mm (5 LED)	100mm (6 LED)	71mm (6 LED)
LED Pitch		33mm	17mm	12mm
LED source		Samsung 5630	Samsung 5630	Samsung 5630
Storage Temperature		-40 to +80°C	-40 to +80°C	-40 to +80°C
Beam angle		120°	120°	120°
Distance from surface for uniformity		30mm	20mm	10mm
Mounting	IP20	3M backing tape	3M backing tape	3M backing tape
	IP67	Saddle mounting clip /part no. SMC (3M backing tape optional)		
Supplied termination		Soldered 150mm cable (IP20) or IP67 male/female connector (IP67)		
Site termination options		Solder		
		10mm solderless connector (IP20 only) /part no. SCN-10MM		
		IP67 connector for solder and sealing with 150mm cable (IP67 only) /Part no. IP68TC		
		Custom supplied lengths available for all models, pre cut with 150mm cable or 150mm male/female waterproof connector on one or both ends		

*Up to 50,000hrs using appropriate aluminium profile heatsink

PROFLEX 110

Accessories



Saddle mounting clip
- SMC



Solderless connector
- SCN-10mm



IP67 connector
- IP67C



IP54 connector
- IP54C



Terminal connector
- IP20C

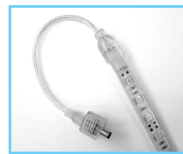
Standard Fittings



Sealed packaging



Supplied on reel

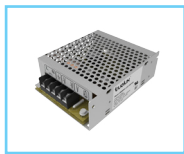


Sealed connectors
IP67



3M tape backing

Transformers



RS series - Economical



LPV series - Waterproof



LPF series - 1-10V
dimming



APV series - Compact



ELED series - Phase
dimming

Interfaces



1Ch DALI interface -
DACV12A



4Ch DALI interface -
DACV4CH5A



0/1-10V interface -
ANCV12A

Note: 0/1-10V interface offers lower dimming than 1-10V dimming transformer

Strip Light Sample



8W 800lm/m



16W 1600lm/m



20W 2200lm/m

Customisation

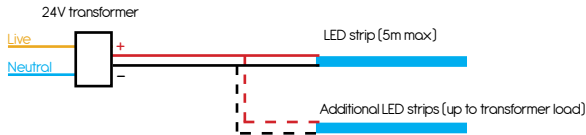
- Length
- Connectors (male/female, one end/both ends, special connectors)
- Colour (contact us for non standard colours)
- Transformers (special requirements)
- Mounting (custom fixings for special projects)
- Control (DALI, 1-10V, PWM, contact us for project consultation)

Thermal Feedback

- Optional thermal control chip for installations when light may be exposed to higher than normal temperatures. At 40°C ambient temperature the integrated control chip will automatically dim the light to avoid thermal damage of the LED chips. Maximum dimming of 20% between 40°C and 50°C. Contact us for special order /[Thermal Control](#)

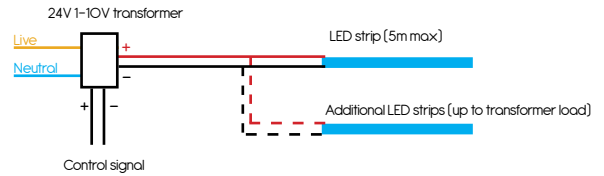
Wiring Diagrams

Non dimming



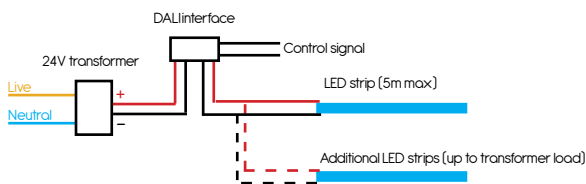
1-10V dimming transformer

1-10V



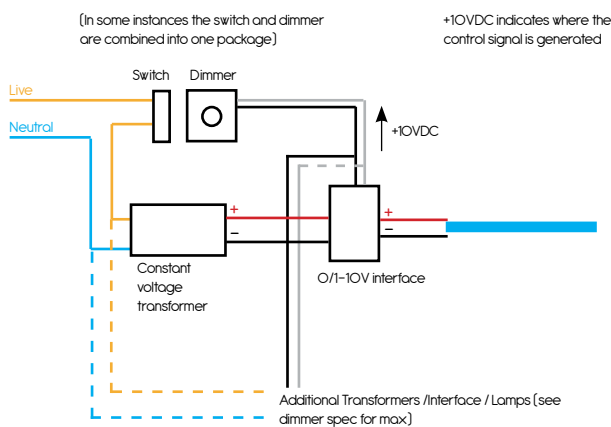
DALI dimming interface

DALI

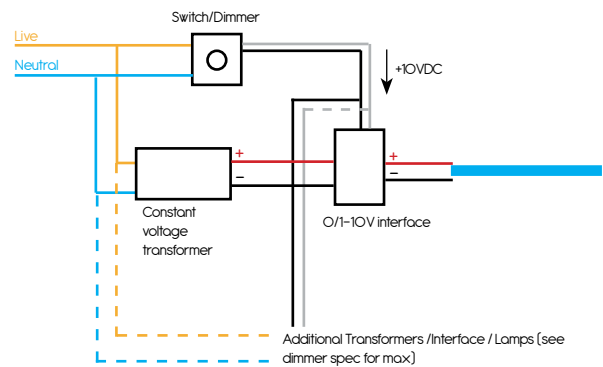


0/1-10V dimming interface

1-10V

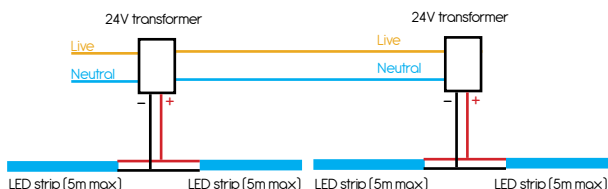


0-10V

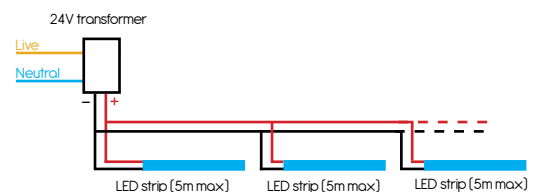


Example installation for runs longer than 5m

Multiple transformers



Single transformer



Precautions

- Do not overload transformers
- Do not connect more than 5m in one single run
- Cut only where shown by cutting marks
- Disconnect mains before installation
- 1-10V dimming transformer has optimum function when transformer load is closely matched to light load

* *warranty void if not fitted according to directions*

We always recommend the use of aluminium profiles when possible. Especially when usage will be above average.

PROFLEX 110

Strip, Profile and Driver ordered separately

1. Linear light

Colour	IP20 8W/m	IP67 8W/m	IP20 16W/m	IP67 16W/m
Warm white 2800K	SFS-8-24V-IP20-28-5M	SFS-8-24V-IP67-28-5M	SFS-16-24V-IP20-28-5M	SFS-16-24V-IP67-28-5M
Warm white 3000K	SFS-8-24V-IP20-30-5M	SFS-8-24V-IP67-30-5M	SFS-16-24V-IP20-30-5M	SFS-16-24V-IP67-30-5M
Neutral white 4000K	SFS-8-24V-IP20-40-5M	SFS-8-24V-IP67-40-5M	SFS-16-24V-IP20-40-5M	SFS-16-24V-IP67-40-5M
Cool white 6000K	SFS-8-24V-IP20-60-5M	SFS-8-24V-IP67-60-5M	SFS-16-24V-IP20-60-5M	SFS-16-24V-IP67-60-5M

- 1. For IP66NC change IP in code
- 2. IP66 and 68 available on request
- 3. Change 5m for custom lengths
- 4. For 20W per meter change power in code

2. Accessories

Solderless connector 10mm	SCN-10MM	IP54 connector	IP54C
Saddle mounting clip	SMC	Aluminium profiles	See profiles section

3. Transformers

Description	Type	Code	Recommended maximum length of strip light per transformer	
			8W/m	16W/m and 20W/m
Open frame design LRS series	350W, 24V	LRS-350-24	4m	22m
	200W, 24V	LRS-200-24	23m	13m
	150W, 24V	LRS-150-24	17m	9m
	100W, 24V	LRS-100-24	12m	6m
	75W, 24V	LRS-75-24	9m	5m
	50W, 24V	LRS-50-24	6m	3m
	35W, 24V	LRS-35-24	4m	2m
Waterproof design LPV series	150W, 24V	LPV-150-24	17m	9m
	100W, 24V	LPV-100-24	12m	6m
	60W, 24V	LPV-60-24	7m	4m
	35W, 24V	LPV-35-24	4m	2m
	20W, 24V	LPV-20-24	2m	1m
Compact for short runs APV series	25W, 24V	APV-25-24	3m	2m
	16W, 24V	APV-16-24	2m	1m
	12W, 24V	APV-12-24	1m	1m
1-10V dimmable IP67 LPF series	90W, 24V	LPF-90D-24	10m	6m
	60W, 24V	LPF-60D-24	7m	4m
	40W, 24V	LPF-40D-24	5m	3m
	25W, 24V	LPF-25D-24	3m	5m
Phase dimming leading edge	75W, 24V	PH24VL75B	9m	5m
Plastic case IP20	50W, 24V	PH24VL50B	6m	3m
	25W, 24V	PH24VL25B	3m	2m
Aluminum case IP66	150W, 24V	PH24VL150C	17m	9m
	100W, 24V	PH24VL100C	12m	6m
	80W, 24V	PH24VL80C	9m	5m
Phase dimming leading or trailing edge	45W, 24V	PH24VL45B	5m	3m
	30W, 24V	PH24VL30B	3m	2m
Plastic case IP20	20W, 24V	PH24VL20B	2m	1m
	80W, 24V	PH24VL80C	9m	5m
Aluminum case IP66	60W, 24V	PH24VL60C	7m	4m

4. Dimming and Control Interface

Description	Code
DALI dimming (to be combined with transformer, up to 240W, 24V)	DACV12A, DACV4CH5A
Analogue 0/1-10V dimming (to be combined with transformer, up to 240W, 24V)	ANCV12A